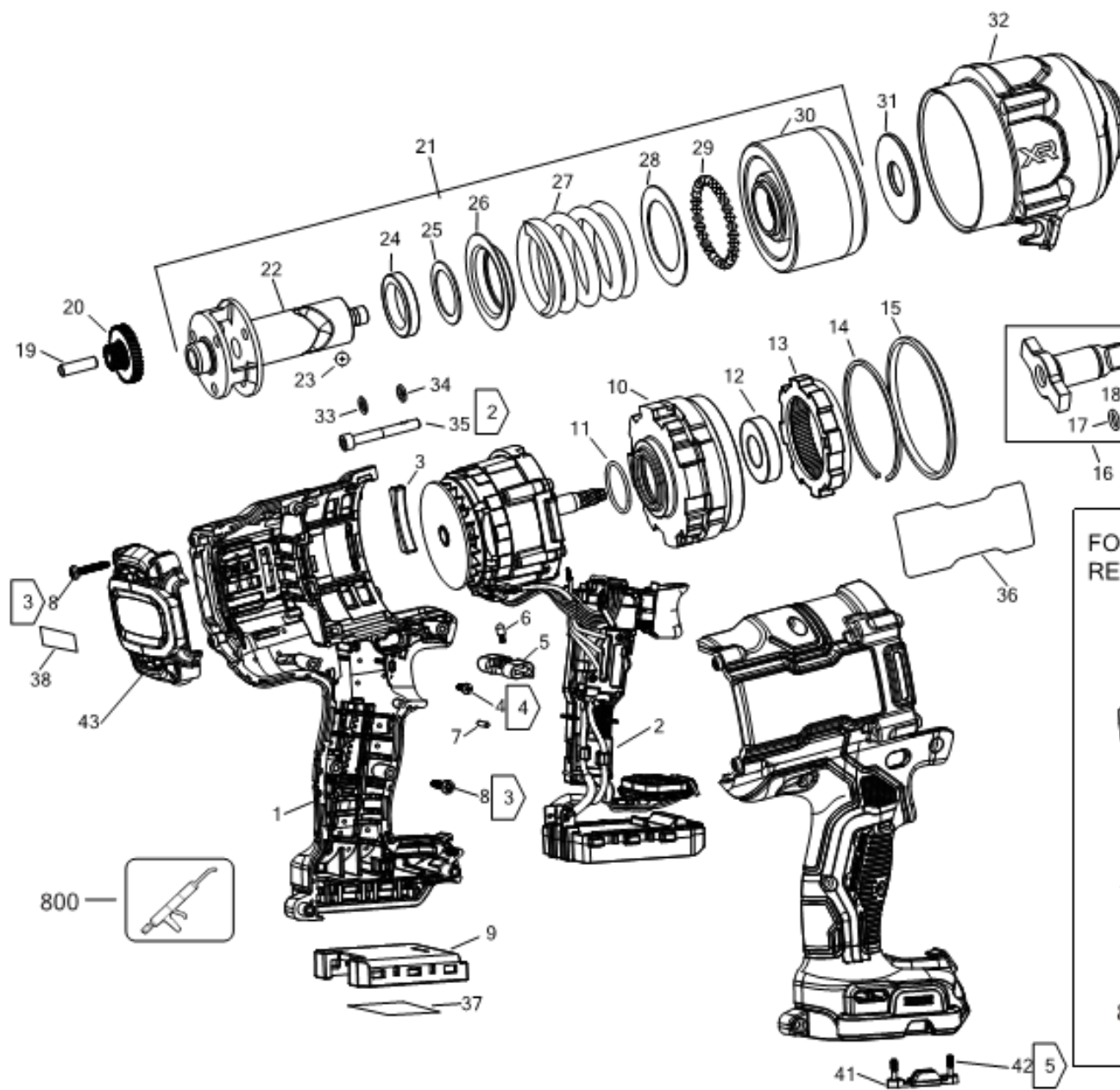


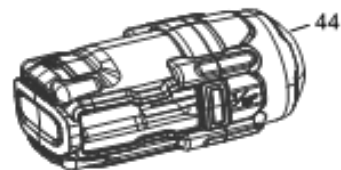
DCF961H2G CORDLESS IMPACT WRENCH 1



NOTES:

- 2. TORQUE TO BE 4.5 ± 0.3 NM
- 3. TORQUE TO BE 1.7 ± 0.2 NM
- 4. TORQUE TO BE 0.9 ± 0.2 NM
- 5. TIGHTEN SCREWS TO 0.5 NM ± 0.1 NM.

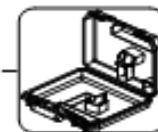
FOR REFERENCE
REFER TO PARTS LIST



871

866

861



Parts List DCF961H2G CORDLESS IMPACT WRENCH 1

Item	Part Number	Qty	Part Description	General Description	Other Info	Repair Inst	Markets
1	NA233933	1	HOUSING SA			No	QW
2	NA325986	1	MOTOR & SWITCH SA			No	QW
3	N864724	4	MOUNT			No	QW
4	N042665	1	SCREW			No	QW
5	N865539	1	ACTUATOR FWD/REV			No	QW
6	N403227	1	DETENT			No	QW
7	N071836	1	ROLL PIN			No	QW
8	330019-04	11	SCREW			No	QW
9	NA169892	1	ISOLATOR			No	QW
10	N846042	1	GEARCASE			No	QW
11	N411414	1	O RING			No	QW
12	N158641	1	BEARING			No	QW
13	N846040	1	INTERGEAR	RING GEAR		No	QW
14	N888542	1	RING	RETAINING RING		No	QW
15	N846523	1	RUBBER SEAL			No	QW
16	NA325987	1	ANVIL ASSEMBLY			No	QW
17	050056-00	1	O RING			No	QW
18	086947-00	1	CIRCLIP			No	QW
19	N756784	3	PIN			No	QW
20	NA031992	3	GEAR			No	QW
21	NA325989	1	TRANSMISSION SA	SA MECHANISM		No	QW
22	NA201540	1	CARRIER			No	QW
23	NA091720	2	BALL STEEL			No	QW
24	N745990	1	BUMPER			No	QW
25	N745989	1	WASHER			No	QW
26	N745984	1	WASHER	CENTERING WASHER		No	QW
27	N745982	1	SPRING			No	QW
28	N745996	1	WASHER THRUST			No	QW
29	000475-00	30	BALL STEEL			No	QW
30	NA100963	1	IMPACTOR			No	QW
31	N735836	1	WASHER			No	QW
32	NA325990	1	NOSE SA			No	QW

Parts List DCF961H2G CORDLESS IMPACT WRENCH 1

Item	Part Number	Qty	Part Description	General Description	Other Info	Repair Inst	Markets
33	90607886	4	WASHER	NOSECONE FLAT WASHER		No	QW
34	N783664	4	WASHER	NOSECONE SPLIT LOCK		No	QW
35	NA407885	4	SCREW			No	QW
36	NA247944	1	RATING LABEL			No	QW
37	NA352845	1	LABEL	Foot LABEL		No	QW
38	NA352854	1	LABEL	BRUSHLESS LABEL		No	QW
41	N787996	1	INSERT			No	QW
42	N831593	2	SCREW			No	QW
43	N893052	1	END CAP			No	QW
44	NA185698	1	RUBBER BOOT			No	QW
800	284778-00	1	GREASE	MOLYKOTE G68		No	QW
866	NA412271	2	BATTERY	DCBP518G		No	QW
871	NA132878	1	CHARGER	DCB1104-QW		No	QW